



MODEL - 61002

GILL PRESSURE PORT

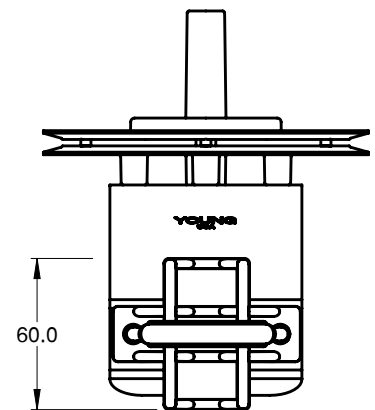
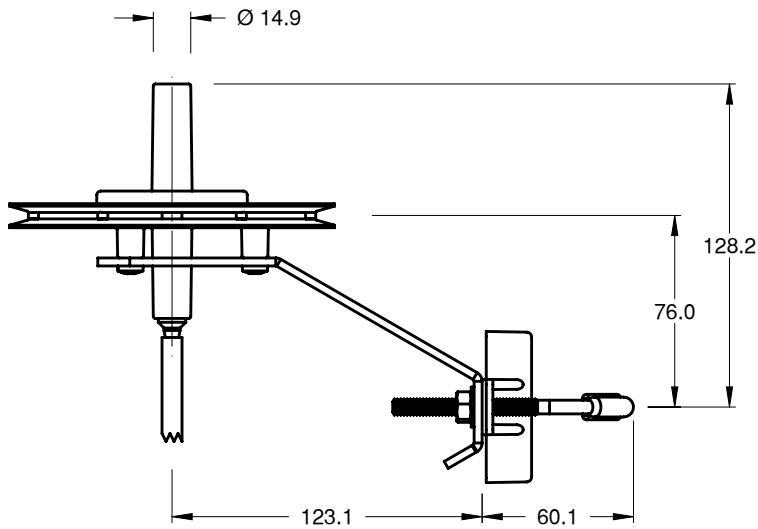
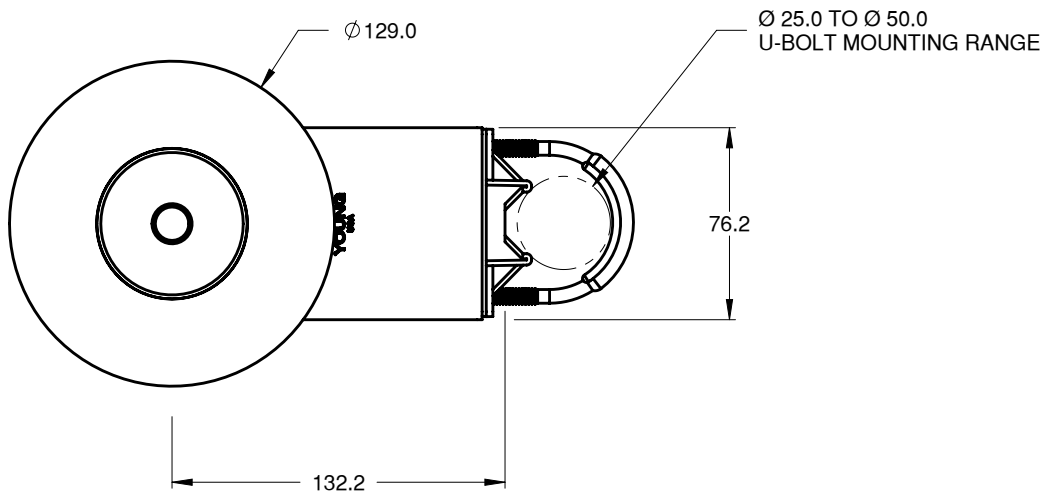
DWG: S61002(A)

REV: A

CHK: MAY

DRW: MRK

DATE: 06/03/08



NOT TO SCALE

ALL DIMENSIONS IN MILLIMETERS
UNLESS OTHERWISE SPECIFIED