



MODEL - 43502

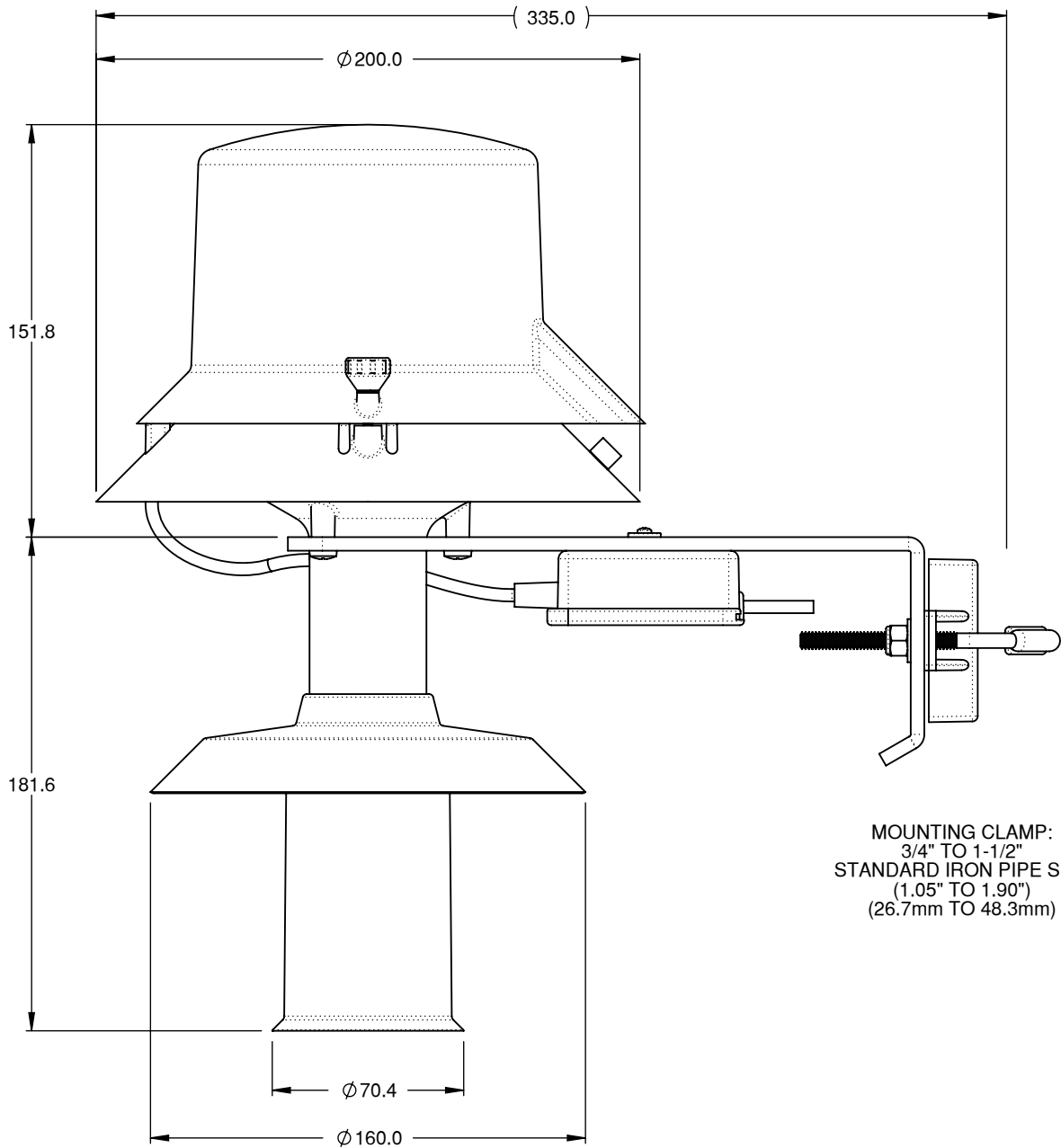
COMPACT ASPIRATED RADIATION SHIELD

DWG: S43502(D)

REV: D040215 CHK:

DRW: JMT

DATE: 04/02/15



NOT TO SCALE

ALL DIMENSIONS IN MILLIMETERS
UNLESS OTHERWISE SPECIFIED

GENERAL DIMENSIONS