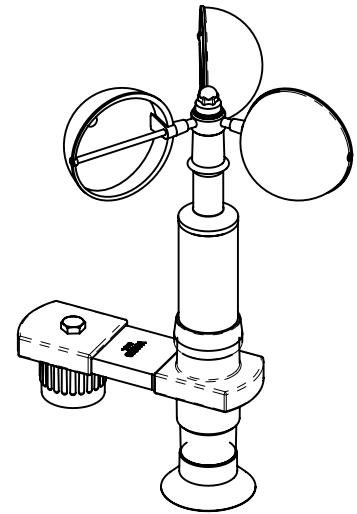
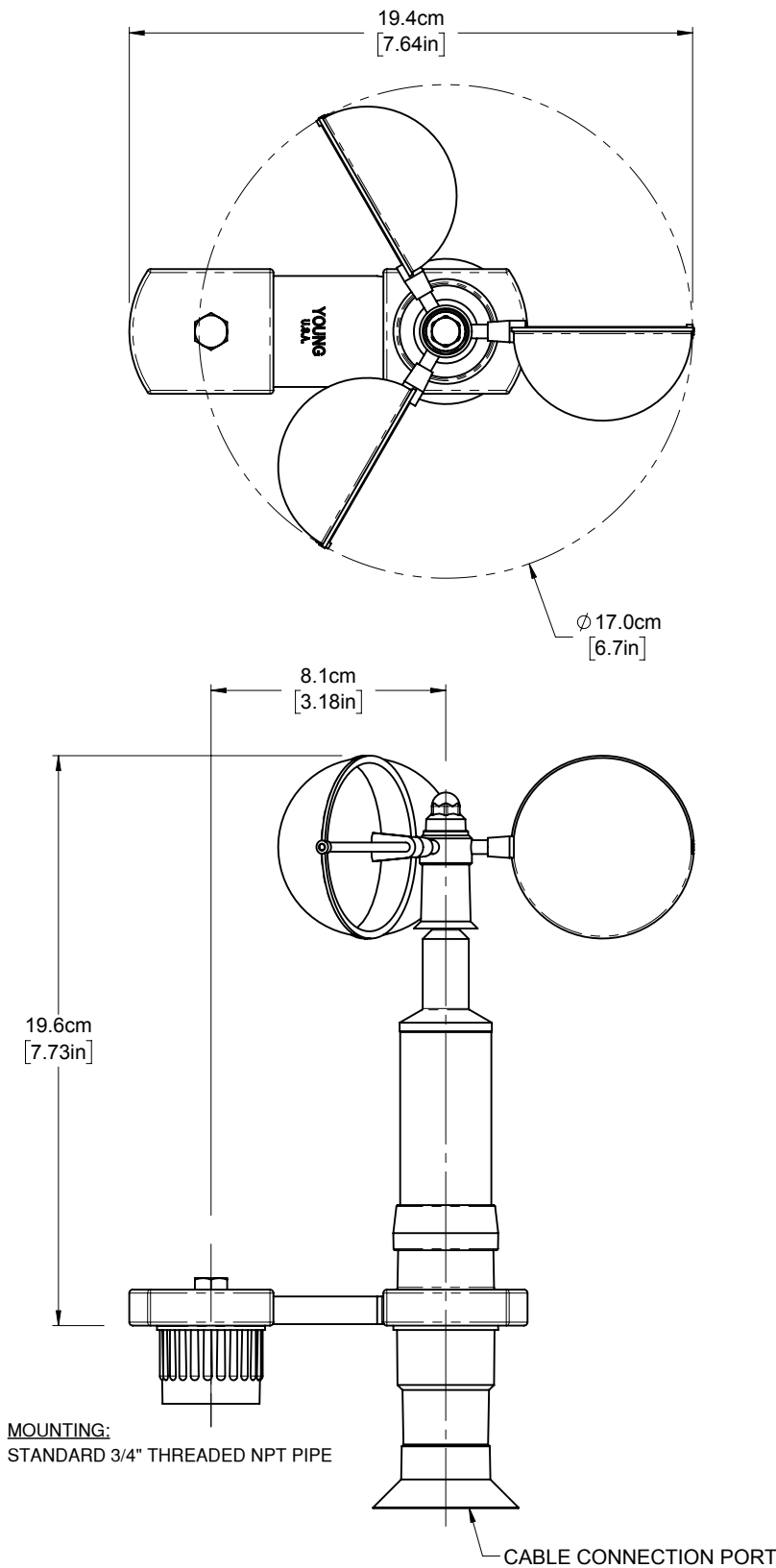




MODEL 12102
Gill 3-Cup Anemometer

DWG: S12120(A)
REV: A062920 CHK:
DRW: JMT DATE: 06/29/20



NOT TO SCALE
ALL DIMENSIONS IN CENTIMETERS
UNLESS OTHERWISE SPECIFIED