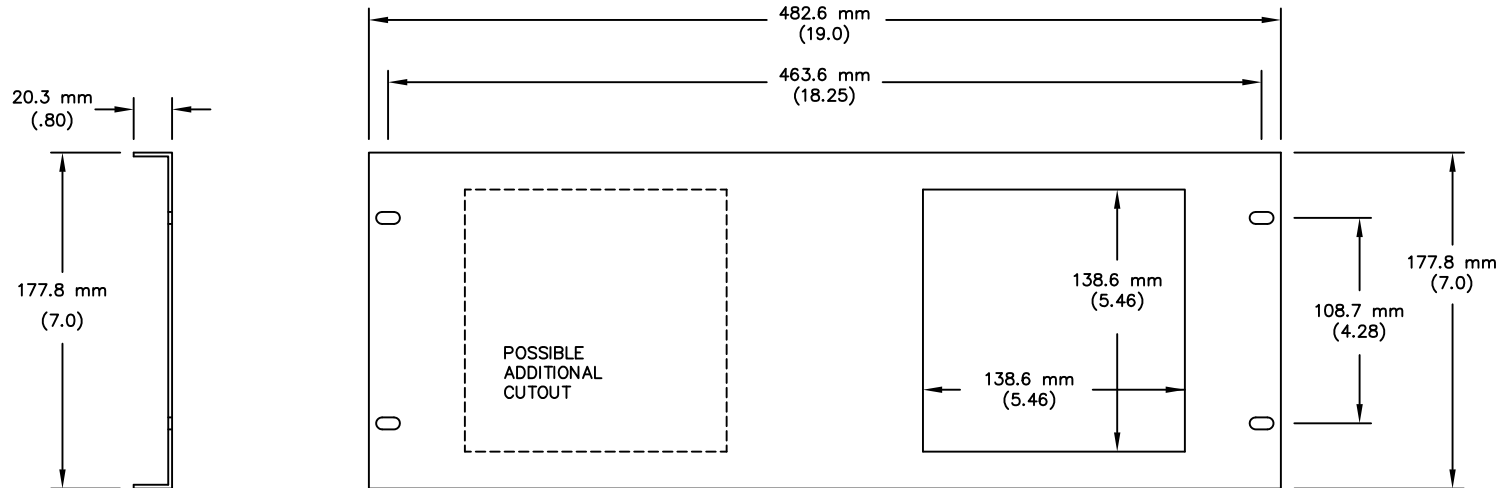
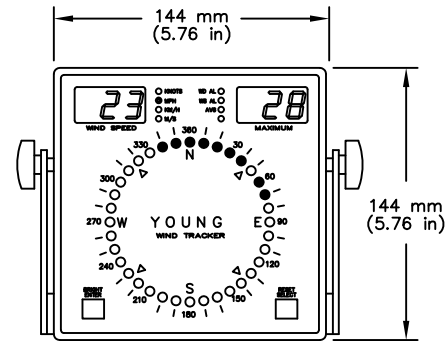
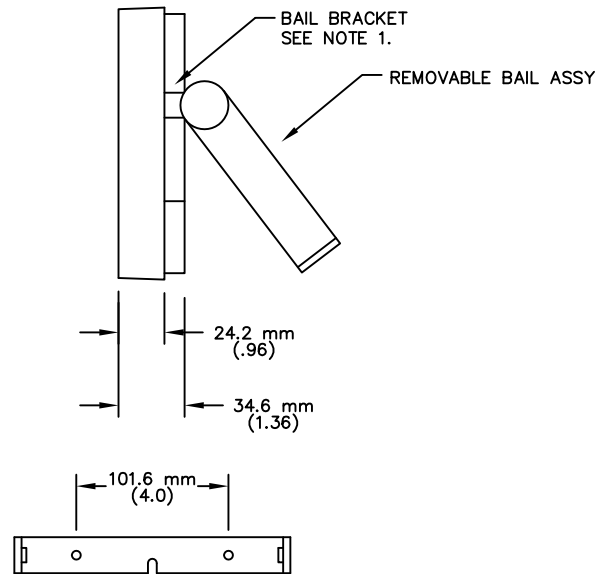




06280 RACK MOUNTING PANEL  
FOR MODEL 06201 WIND TRACKER



06280 RACK MOUNTING PANEL



06201 WIND TRACKER

1/4 SIZE

NOTE:  
FOR PANEL MOUNTING - BAIL BRACKET MAY BE REVERSED AND USED AS MOUNTING CLAMP.

|  |        |           |
|--|--------|-----------|
| MODEL 06201 WIND TRACKER                                   | DWG A  | PRD 08-94 |
| WITH 06280 RACK MOUNTING PANEL                             | DWN KL | DWG 11-95 |
| OVERALL DIMENSIONS   | CHK    | M06201    |
| R.M. YOUNG CO. TRAVERSE CITY, MI 49686 U.S.A. 616-946-3980 |        |           |