



**MODEL 05305V WIND MONITOR - AQ, VOLTAGE OUTPUTS** Jan 2021  
**REPLACEMENT PARTS**

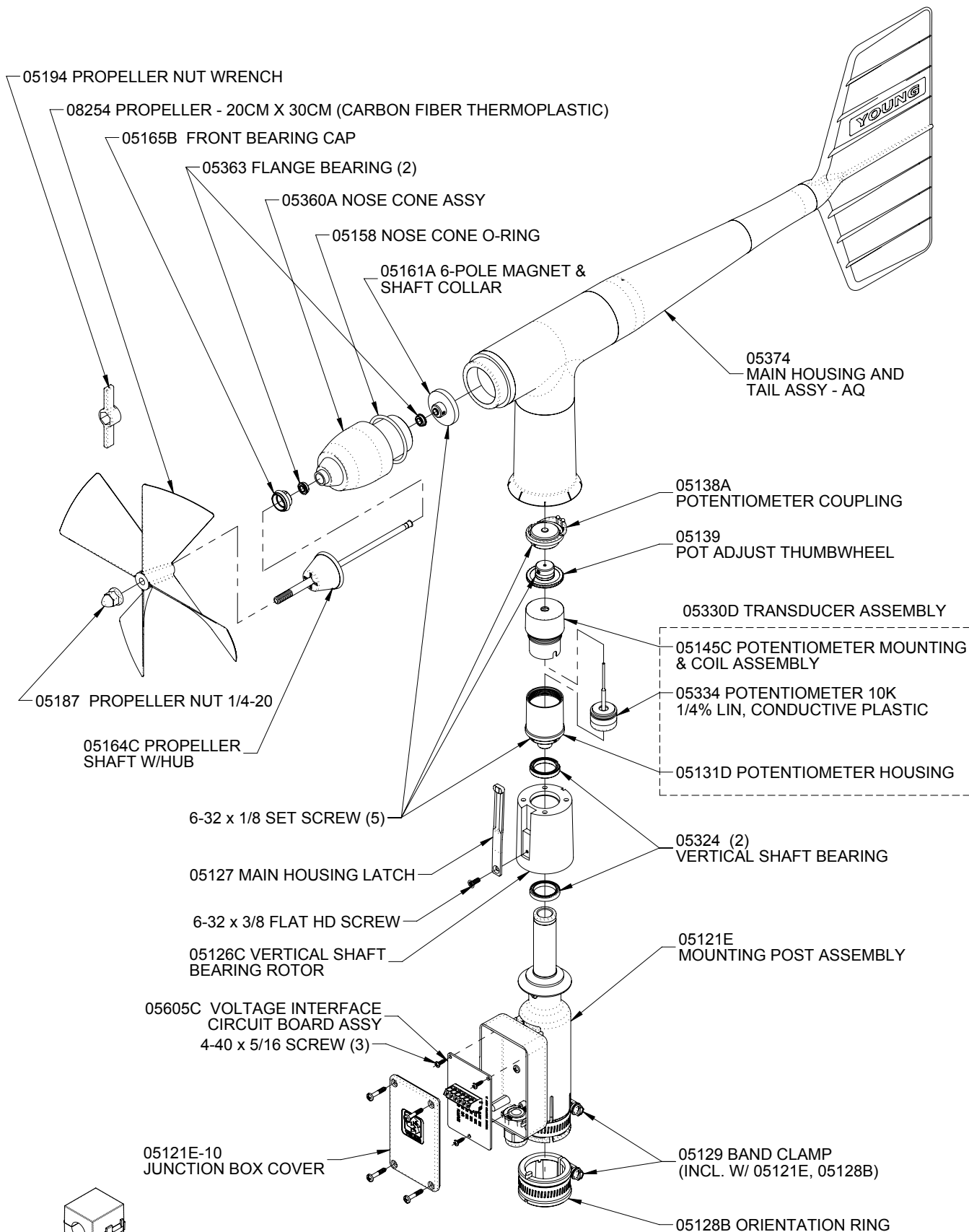
<u>PART NO.</u>	<u>DESCRIPTION</u>	<u>PRICE (US)</u>
05305V	WIND MONITOR AQ .....	\$ 1546.00
05121E	MOUNTING POST ASSY .....	134.00
05121E-10	JUNCTION BOX COVER .....	22.00
05126C	VERTICAL SHAFT BEARING ROTOR .....	27.20
05127	MAIN HOUSING LATCH .....	6.00
05128B	ORIENTATION RING.....	15.00
05129	BAND CLAMP - 2 REQD.....	4.60
05131D	POTENTIOMETER HOUSING.....	19.20
05334	POTENTIOMETER - 10K 1/4% LIN COND PLASTIC W/EXT SHAFT .....	180.00
05138A	POTENTIOMETER COUPLING.....	13.40
05139	POTENTIOMETER ADJUST THUMBWHEEL.....	13.40
05145C	POTENTIOMETER MOUNTING AND COIL ASSY .....	66.00
05158	NOSE CONE O-RING .....	4.00
05161A	SIX POLE MAGNET & SHAFT COLLAR .....	23.00
05164C	PROPELLER SHAFT W / HUB .....	41.00
05165B	FRONT BEARING CAP.....	3.20
05187	PROPELLER NUT (1/4-20).....	3.20
05194	PROPELLER NUT WRENCH .....	3.20
05324	VERTICAL SHAFT BEARING - 2 REQD.....	32.80
05360A	NOSE CONE ASSY.....	74.00
05363	FLANGE BEARINGS 2 REQD .....	10.00
05374	MAIN HOUSING & TAIL ASSY .....	134.00
05605C	WIND SENSOR INTERFACE CIRCUIT BOARD ASSY.....	308.00
08254	PROP - 20 cm DIA x 30 cm PITCH-CARBON FIBER THERMOPLASTIC.....	66.00
18446	SENSOR CABLE – 5 COND, SHIELDED .....	PER FT 0.92
18500	FERRITE CHOKE .....	4.00
05305V-90	INSTRUCTION MANUAL .....	16.00
00724-5305	WIND MONITOR AQ CARTON W/DIE CUT INSERT .....	56.00
<b><u>REPLACEMENT ASSEMBLIES FOR FIELD SERVICE</u></b>		
05320	MOUNTING POST & TRANSDUCER ASSY..... (DOES NOT INCLUDE MODEL 05605C WIND SENSOR INTERFACE CIRCUIT BOARD ASSY)	684.00
05330D	TRANSDUCER ASSY .....	330.00
05359A	NOSE CONE & PROPELLER SHAFT ASSY.....	124.00
<b><u>CALIBRATION ACCESSORIES</u></b>		
05190	BEARING GAP GAUGE.....	2.40
05191	HEX WRENCH 1/16".....	2.40
18112	VANE ANGLE BENCH STAND.....	266.00
18212	VANE ANGLE FIXTURE - TOWER MOUNT .....	326.00
18310	PROPELLER TORQUE DISC.....	50.00
18331	VANE TORQUE GAUGE.....	122.00
18802	ANEMOMETER DRIVE (200 - 15,000 RPM).....	1272.00
<b><u>MISCELLANEOUS HARDWARE</u></b>		
00320-0405PP	SHT METAL SCR #4 X 5/16 PN HD SS PHILLIPS .....	N.C.
00321-0606F	MACHINE SCREW 6-32 X 3/8 FLT HD SS.....	N.C.
00324-0602	SET SCREW 6-32 X 1/8 SET SC SS.....	N.C.

BECAUSE OF CONTINUALLY CHANGING COSTS PRICES ON THIS PARTS LIST ARE  
SUBJECT TO CHANGE. IF EXACT PRICING IS REQUIRED PLEASE CONTACT US.



# GENERAL ASSEMBLY & REPLACEMENT PARTS

MODEL 05305V WIND MONITOR-AQ, VOLTAGE OUTPUT



18500 FERRITE CHOKE