



METEOROLOGICAL INSTRUMENTS

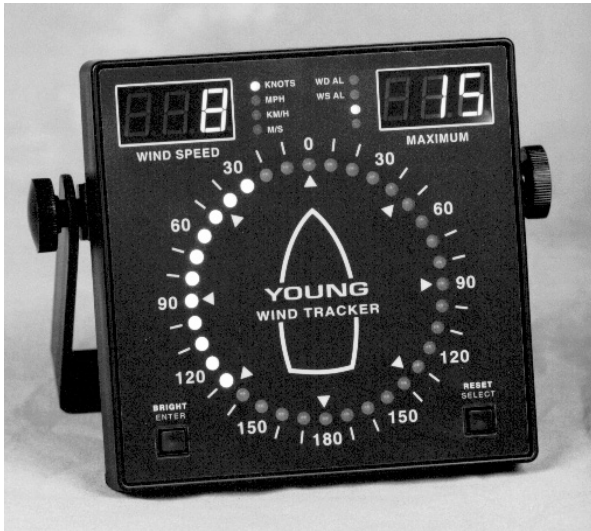
INSTRUCTIONS

**MARINE WIND TRACKER
MODEL 06206**





MODEL 06206 MARINE WIND TRACKER



SPECIFICATIONS

Size: 144 mm (5.65 in) x 144 mm (5.65 in) x 36 mm (1.4 in)

Panel Cutout: 138 mm (5.43 in) x 138 mm (5.43 in)

Compatible Sensors:

Wind Monitor	Wind Monitor-MA
Wind Monitor-SE	Wind Monitor-JR
Wind Sentry	

Other Inputs:

4-20 mA
NMEA Serial Input/Output
\$WIMWV,ddd,R,sss,u,A[CR][LF]
where:
ddd wind direction in degrees
sss wind speed (ss.s for m/s)
u units (N = knots, K = kilometers/hour,
M = meters/second, S = miles/hour)

Accuracy: $\pm 0.6\%$ F.S.

Display Resolution:

Wind Direction:	10° circular pattern (36 points) 1° w/ dSP dlr selected
Wind Speed & Maximum:	1 Knot, 1 MPH, 1 KM/H, 0.1 M/S

Voltage Outputs:

Wind Direction Range:	0-360°
0-5 VDC	0-360°
Wind Speed Range: (dependent on units selected)	
0-5 VDC	0-100 Knots 0-100 MPH 0-200 KM/H 0-50 M/S

Alarm Relays: Non-latching

Normally Open contacts for WS and WD.
Contact rating 5A resistive,
2A inductive @ 24 VAC, 30 VDC.

Input Power: 12-30 VDC, 4.5 W

Weight: 1.0 lb (.45 kg) without AC adapter

INTRODUCTION

The YOUNG Model 06206 Marine Wind Tracker is a compact wind speed and wind direction display. This model has features such as relative wind angle and NMEA compatibility that make it suitable for shipboard use.

FEATURES

- 3 digit wind speed display
- 3 digit maximum wind speed or wind direction display
- Multi-color wind direction display with variability display
- Wind speed and direction alarms with delay
- RS-485/NMEA serial connections
- Calibrated 0-5 VDC outputs
- Display brightness control
- 4-20 mA Sensor Inputs
- Luminous front panel markings

PRECAUTIONS

- INDOOR USE ONLY unless placed in approved enclosure.
- Operating temperature range 0-50°C (32-122°F), 0-95% RH.
- Use only recommended power sources; 12-30 VDC, 4.5 W.
- Disconnect power when making connections or servicing sensors.
- MAXIMUM 24 VAC/30 VDC on alarm relay contacts.

MOUNTING AND START-UP

1. Select location for display. A location out of direct sunlight provides best visibility.

The Wind Tracker may be mounted from a bulkhead or installed in a flush panel by removing the mounting bracket. Panel cutout dimensions are given in the specifications. An optional rack mounting panel (Model 06280) and protective enclosure (Model 06260) are available from your YOUNG supplier.

2. Connect cables to terminals. Refer to diagrams on page 5.

Selector switch (item 7 on back panel illustration) should be DOWN for normal sensor inputs, UP for 4-20 mA or Wind Monitor-SE signals.

3. Connect GND terminal to suitable earth ground.
4. Insert power supply plug into power jack, plug into standard AC wall outlet.

The Wind Tracker may also be powered from ships batteries. A coaxial power plug (2.1mm) must be used. Center is positive.

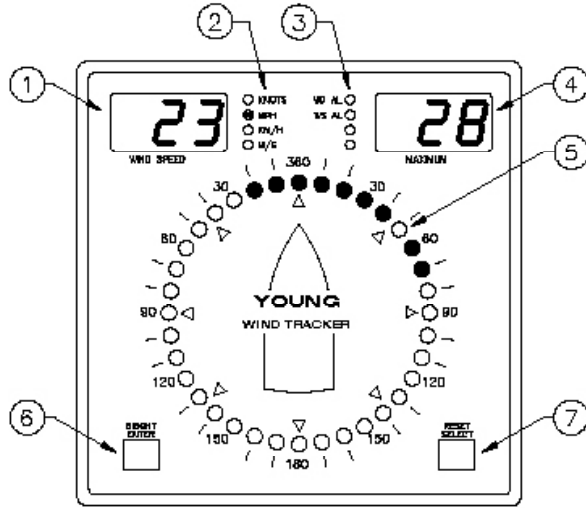
5. The Wind Tracker will display a software version number for approximately 4 seconds. It then begins to display wind information. The following information is displayed:

- Wind Speed
- Wind Speed Units
- Maximum Wind Speed or Direction degrees
- Relative Wind Direction (single orange indicator)
- Direction Variability (green indicators)
- WS, WD Alarm Status Indicators (if selected)

6. Observe the unit for a few minutes to verify that it is operating properly. If you wish to change settings (ie: wind speed units). See the following section.

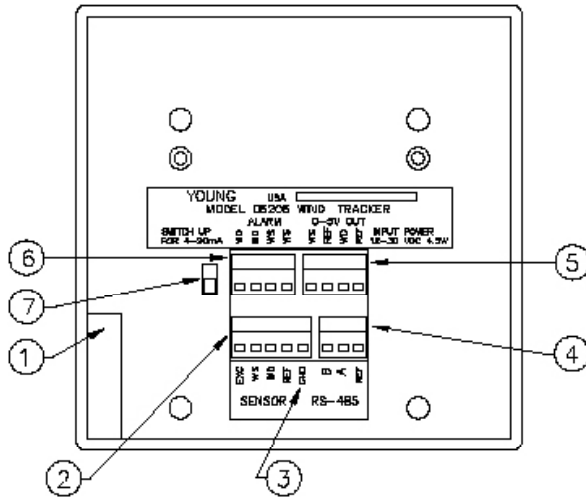
06206-90

FRONT PANEL



1. Wind Speed Display
2. Wind Speed Units Indicator
3. Alarm Status Indicators
4. Maximum Wind Speed or Relative Wind Direction Display
5. Relative Wind Direction and Variability Display
6. Brightness (operate mode), ENTER (setup mode)
7. MAX RESET (operate mode), SELECT (setup mode)

BACK PANEL



1. Power input (12-30 VDC) AC adapter supplied
2. Sensor or 4-20 mA inputs
3. Earth ground connection
4. RS-485/NMEA serial connections
5. 0-5 VDC calibrated outputs
6. Alarm relay connections (normally open)
7. Input selector switch

CHANGING SETTINGS

The Wind Tracker has a setup mode that allows you to easily change sensor type, wind speed units, alarm settings, and other functions.

Press and hold **ENTER** and **SELECT** keys (about 5 seconds). The display will briefly flash "SET UP", then begin the SETUP sequence. Change settings with the **SELECT** key. Press the **ENTER** key to save a setting and move to the next step. Abbreviations in the left and right display windows identify each function and the available selections.

DISPLAY		SETUP FUNCTION
LEFT	RIGHT	Input/Sensor Type
InP	LDi	Line Driver 4-20 mA input
	03	Wind Sentry
	04	Wind Monitor-Jr
	05	Wind Monitor, Wind Monitor-MA
	SEr	Serial input from Wind Monitor-SE or main display <i>If SEr is selected, wind speed units and NMEA output rate selections do not appear.</i>
SPd	unt	Wind Speed Units Press SELECT to change units, ENTER to proceed.
OUT	FST	NMEA Output Rate 16 sentences sent per second
	SLO	1 sentence sent per second
dSP	SPd	Display Displays MAXIMUM wind speed in right display.
	dir	Displays WIND DIRECTION degrees (1° resolution) in right display.
ALr	no	Wind Direction Alarm WD alarm not used.
	YES	WD alarm activated. <i>If no is selected, the following 2 steps do not appear.</i>
ALr	dir	Press SELECT to position alarm sector. Press ENTER.
ALr	SPn	Press SELECT to set size (span) of alarm sector.
ALr	no	Wind Speed Alarm WS alarm not used.
	YES	WS alarm activated. <i>If no is selected, the following 3 steps do not appear.</i>
ALr	000	WS alarm set point. Press SELECT to change digits. ENTER to save.
dLY	030	Alarm Delay Time Set alarm delay time in seconds (0-999).
Snd	no	Sound No sound with alarm.
	YES	Audible beeper will sound with alarm.
tSt	no	Test Functions Skip test functions.
	YES	For troubleshooting only. YES will initiate the following tests. <i>If no is selected, the unit will return to normal operation.</i>
tSt	Snd	Press SELECT to sound beeper.
tSt	dSP	Press SELECT to illuminate all display segments.

tSt ALr Press SELECT to close alarm relays.
CAL 0.00 Press SELECT to alternate between 0.00 Vout and 5.00 Vout at terminals. Use to calibrate external devices (recorders, etc..)

SEr Err Unit is set to receive RS-485 NMEA serial signal, but no serial data is coming in. Verify that NMEA source is operating. Check cables for proper connection.

ADDITIONAL INFORMATION

ALARMS

Wind speed and wind direction alarm functions are accessed in the SETUP sequence. Either or both alarms may be used. When activated, alarms are indicated on the front panel. When an alarm condition exists, the indicator will blink and the associated relay contact will close and the beeper will sound if selected in SETUP. When a delay time is set, the indicator will not report an alarm condition until it has existed for one complete delay period. Alarm activity will cease when conditions are outside the alarm range for one complete delay period. For a "latching" alarm effect, use the Wind Tracker alarm contacts to activate an external latching-type relay.

BRIGHTNESS

Adjust display brightness by holding the BRIGHT key.

MAXIMUM / WIND DIRECTION DIGITAL DISPLAY

The right display window can show either MAXIMUM WIND SPEED or Numerical WIND DIRECTION. This selection is made in the setup mode under **Display (dSP)**.

NMEA OUTPUT

The Wind Tracker features NMEA serial output from the RS-485 terminals. These terminals can be used to operate remote displays or connect to other NMEA compatible devices. The NMEA output sentence is sent 16 times per second (Fast) or once per second (Slow) depending on the **NMEA Output (OUT)** setting in SETUP. For best remote display, use the Fast setting.

REMOTE DISPLAYS

The Wind Tracker can be used as a remote display by selecting "InP SEr" during SETUP. Remote displays are connected to the main display using the RS-485 terminals. NMEA Serial Protocol is used to operate remote displays. Up to 16 remote displays can be connected to one main display. Use the serial input when connecting to a Model 09101 Wind Monitor-SE sensor. See wiring diagram.

VOLTAGE OUTPUTS

The Wind Tracker offers calibrated voltage outputs for both wind speed and wind direction. This feature allows the use of recorders and other devices. Full scale voltage for each channel is 5.00 VDC.

4-20mA INPUTS

The Wind Tracker accepts 4-20 mA (Line Driver) inputs. Line Driver circuit must provide 0-50 M/S Wind Speed scaling ("M" suffix). Connect cable as indicated on page 4. Slide switch on back must be UP at power up for correct 4-20 mA operation. Select LDI as input in SETUP. **24 VDC power is required for line driver applications.**

ERROR MESSAGES

The Wind Tracker detects and indicates two errors. Once corrected, the error indication disappears.

DISPLAY

LDi Err 4-20 mA (line driver) signal. Signal is missing or outside of acceptable range. Verify proper switch position or signal.

WARRANTY

The Wind Tracker is warranted to be free of defects in materials and construction for a period of 12 months from date of purchase. Coverage is limited to repair or replacement of defective unit.

CE COMPLIANCE

This product has been tested and shown to comply with European CE requirements for the EMC Directive. Please note that shielded cable must be used.

Declaration of Conformity

R. M. Young Company
2801 Aero Park Drive
Traverse City, MI 49686 USA

Model 06206 Marine Wind Tracker

The undersigned hereby declares on behalf of R. M. Young Company that the above-referenced product, to which this declaration relates, is in conformity with the provisions of:

Council Directive 2004/108/EC (December 15, 2004)
on Electromagnetic Compatibility



David Poinsett
R&D Manager

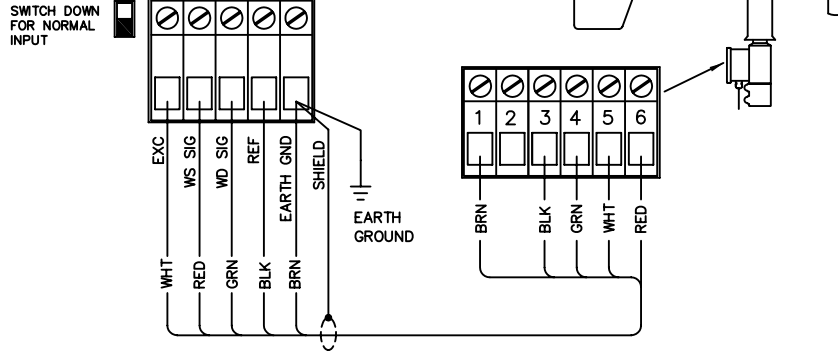


MARINE WIND TRACKER

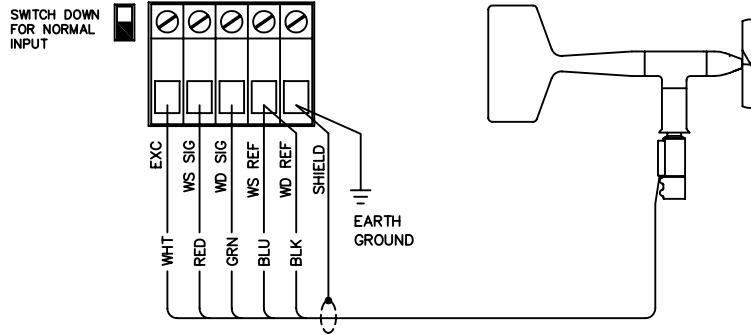
WIRING DIAGRAMS

NOTE: EARTH GROUND CONNECTION TO GROUND TERMINAL OF WIND TRACKER REQUIRED.

WIND SENSOR
05103, 04101

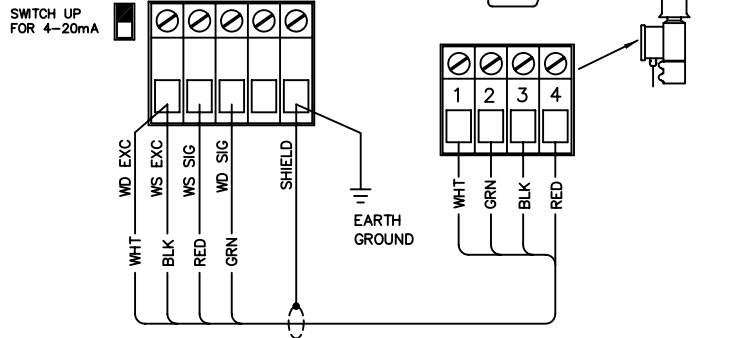


WIND SENSOR
05106, 04106

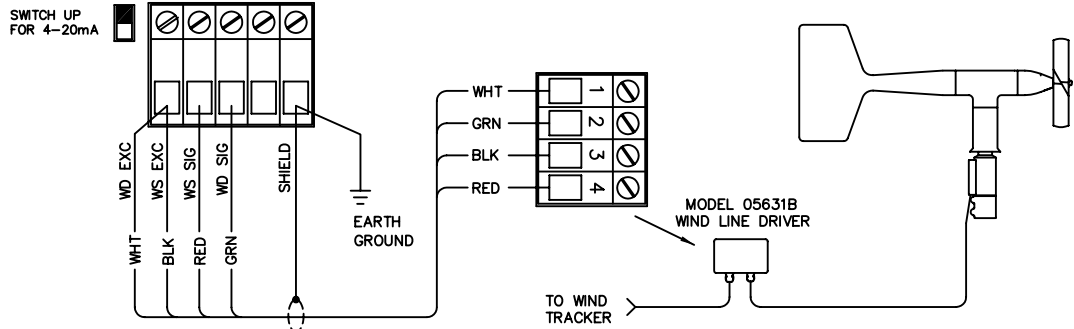


WIND SENSOR
05103LM, 04101LM

WITH 4-20mA
OUTPUTS

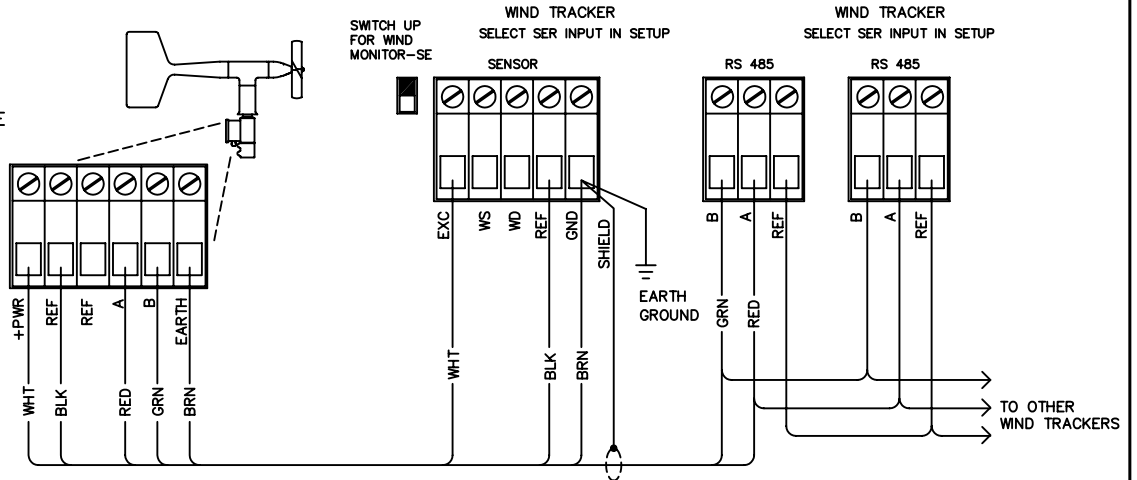


WIND SENSOR
05106, 04106
WITH 4-20mA
LINE DRIVER

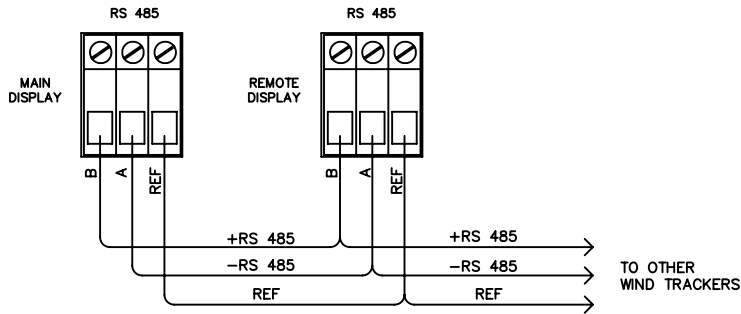




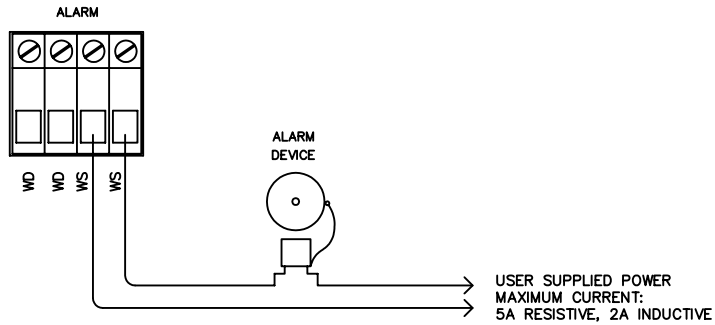
MODEL 09101
WIND MONITOR-SE



REMOTE
DISPLAYS



ALARM/RELAY
NON-LATCHING



VOLTAGE
OUTPUTS

